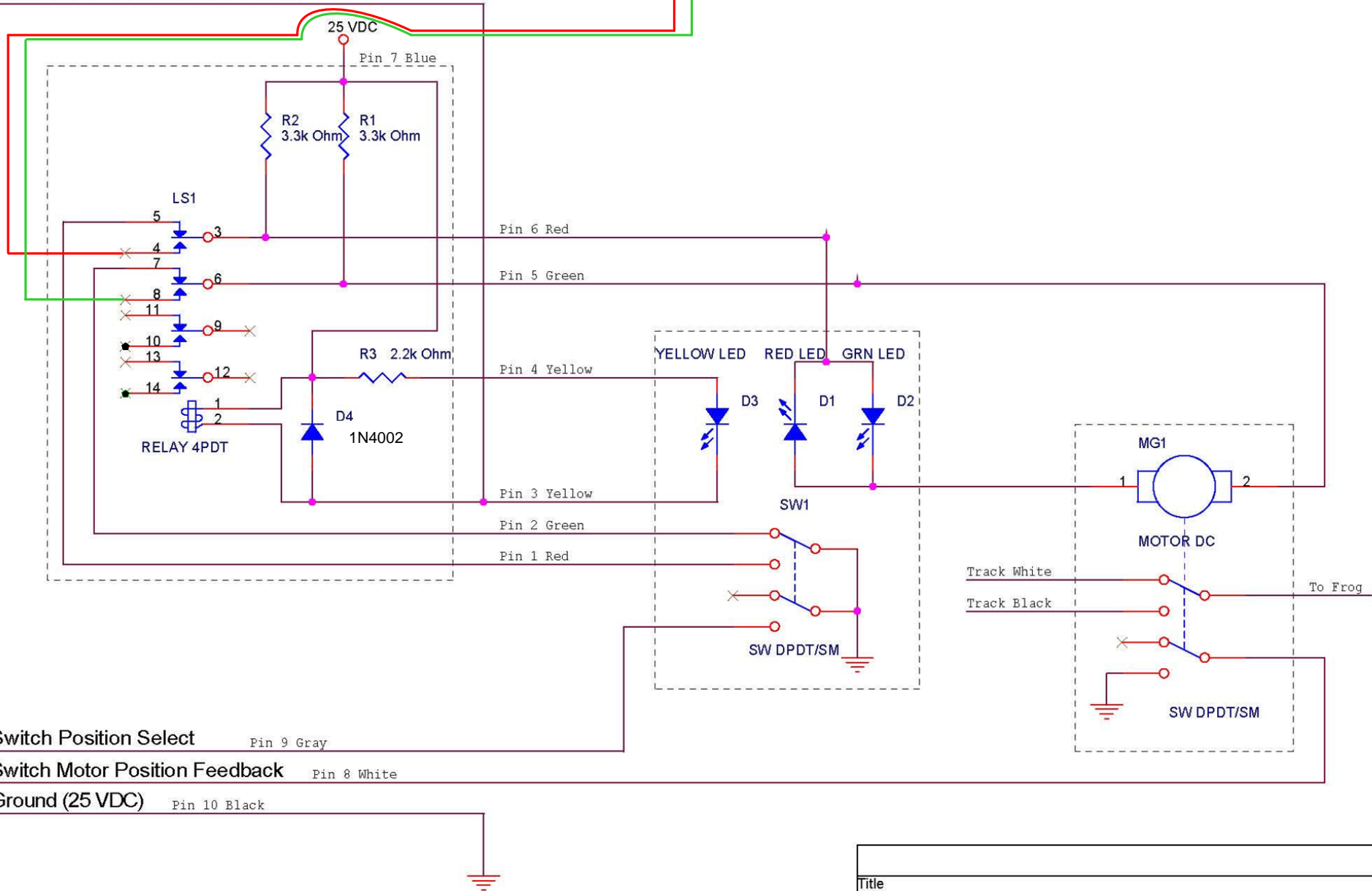


Switch Motor Control Normal
 Switch Motor Control Reverse
 Switch Motor Local/Remote Enable



Title		
Tortoise machine dual control circuit		
Size	Document Number	Rev
A	<Doc>	1.1
Date:	Friday, February 29, 2008	Sheet 1 of 1