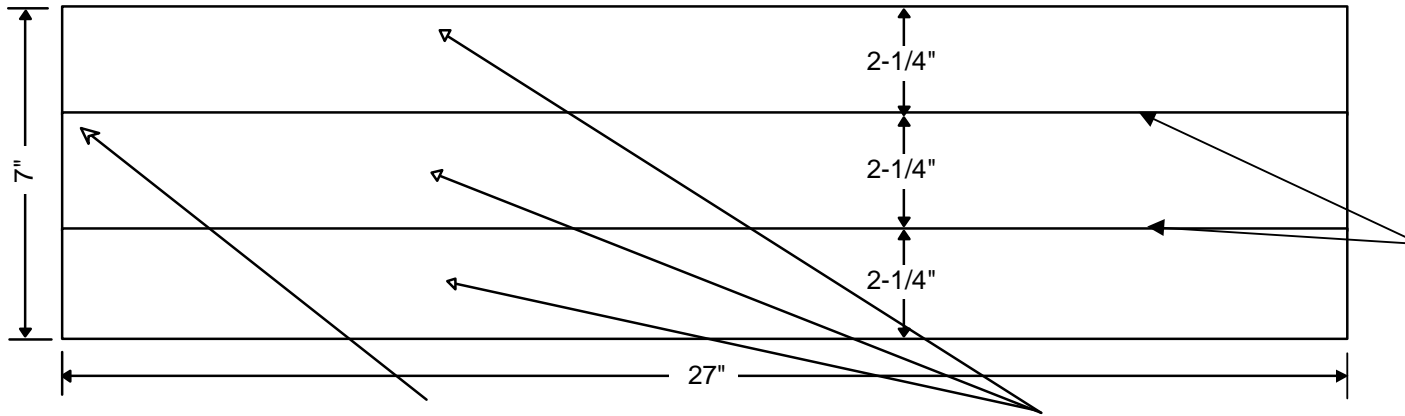


# LOCOMOTIVE STORAGE BOX

## Proto Power West Storage Box \*



Glue 2" folded square of paper in each corner to reinforce corner

Glue a strip of 220 sandpaper in the bottom - prevents sliding (optional)

\*Proto Power West  
P.O. Box 7916  
La Verne, Ca. 91750

Glue 1/8" Door Front Plywood 1 1/2" high (Boxes are very irregular so divide equally)

Tip: Cut a piece of plastic or wood 2 1/4" to use as a gauge to center the plywood strips.



2" folded paper squares to reinforce corner

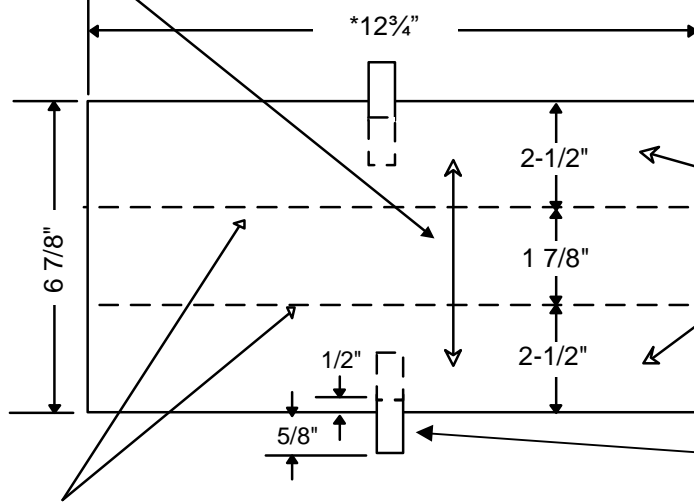
Use a glue bead to glue to the bottom.

Cut plywood end at a slight angle for a better fit.

# Cardboard Locomotive Holder

Standard 1/8" Cardboard

Cardboard Grain  
Direction



Standard 1/8" Cardboard

Apply 1/4" foam on the inside with 1/4" margin. Proto Power West Storage Box foam strips work well.

5/8" Heavy Ribbon (about 2")  
(Cut a slit centered in the cardboard, push the ribbon through the slit & glue tape end to back side. Apply glue to ribbon edge to prevent fraying)

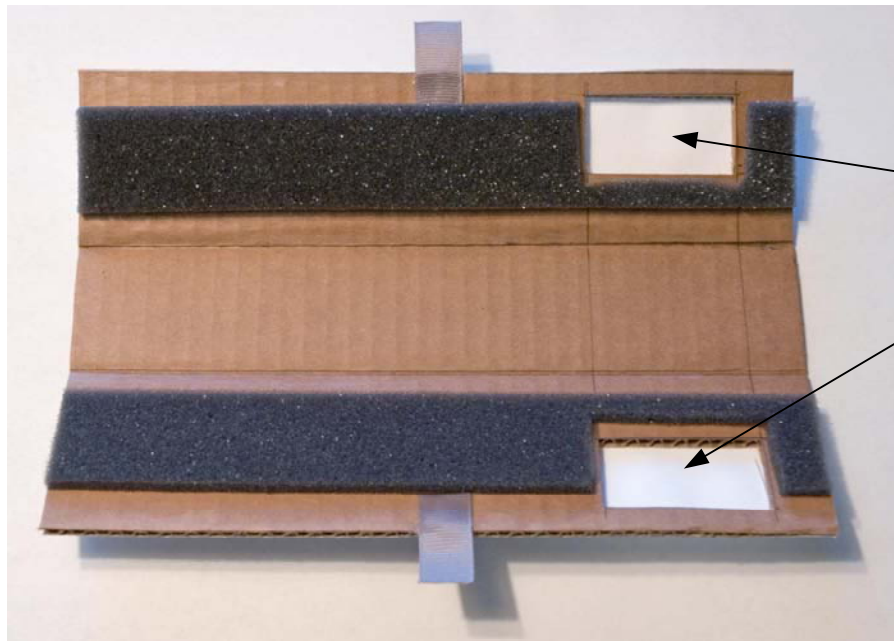
Crease with a screen spline tool & fold

Use #16 (2 1/2" x 1/16") Rubber Bands to hold Model (optional)

\* Length of the holders will vary to fit the Proto Power West Storage Box = 27"

Examples:

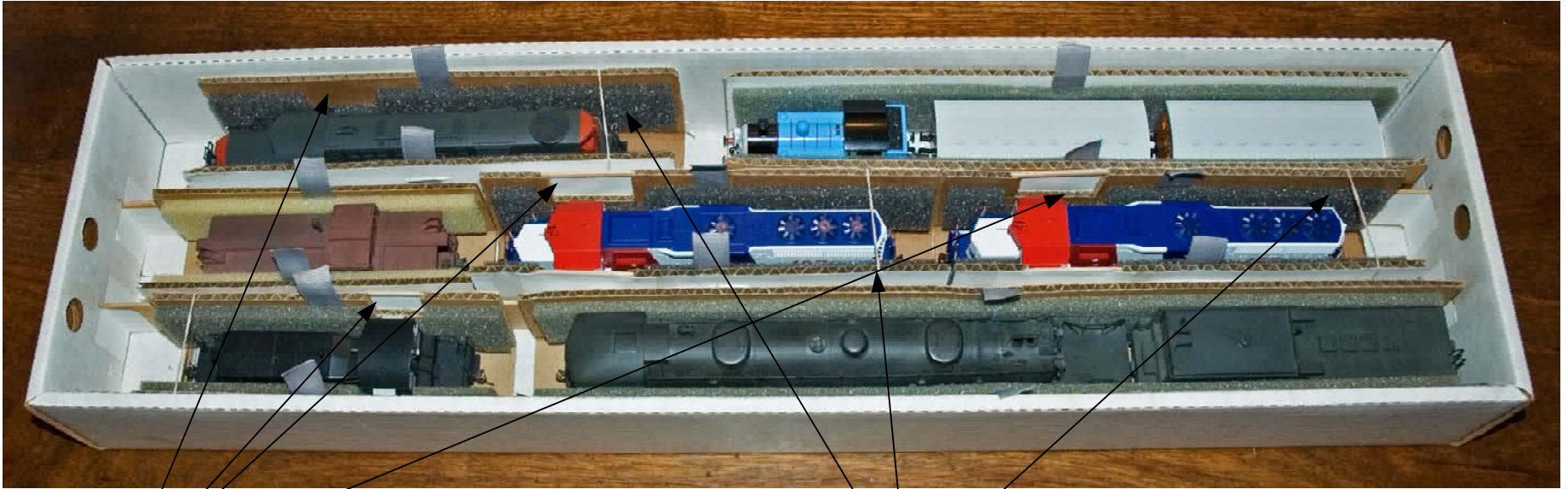
- 1 - 17 1/2", 1 - 9 1/4"
- 1 - 15", 1 - 9 1/4"
- 1 - 14", 1 - 12 3/4"
- 2 - 12 3/4"
- 2 - 9 1/4", 1 - 8 1/4"
- 3 - 8 3/4"
- 4 - 6 1/2"



Cut holes as need to protect details such as sunshades from being crushed.

Cover the hole on the outside by gluing 90 lbs paper

## Completed Storage Box



Holes to protect  
sunshades

Rubber bands to keep  
locomotive from sliding